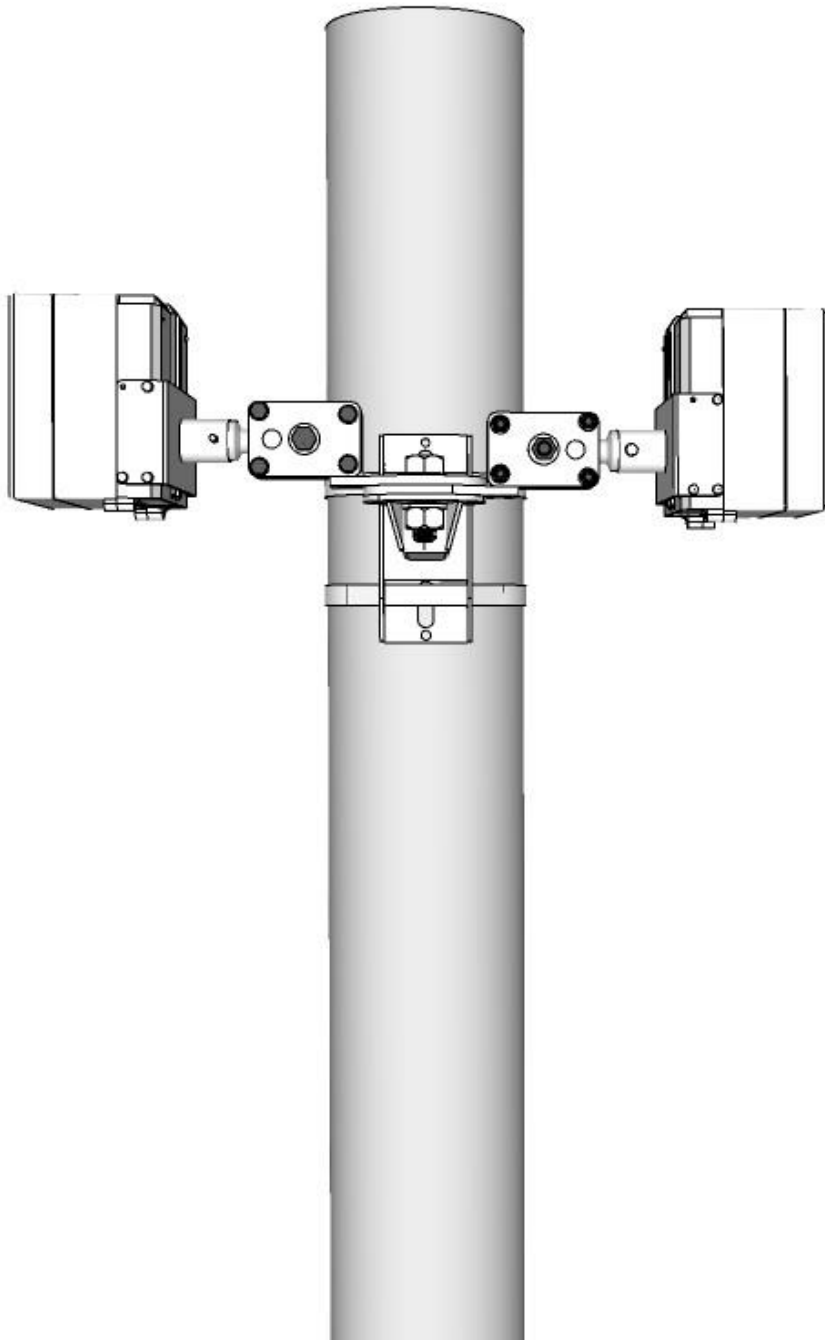




# Installation Guide

## Stack-Bracket 360° Side Pole Mounting for Ericsson 2208 Antenna Bracket





# Installation Guide

Stack-Bracket 360° -Top Pole Mounting

## CONTENTS

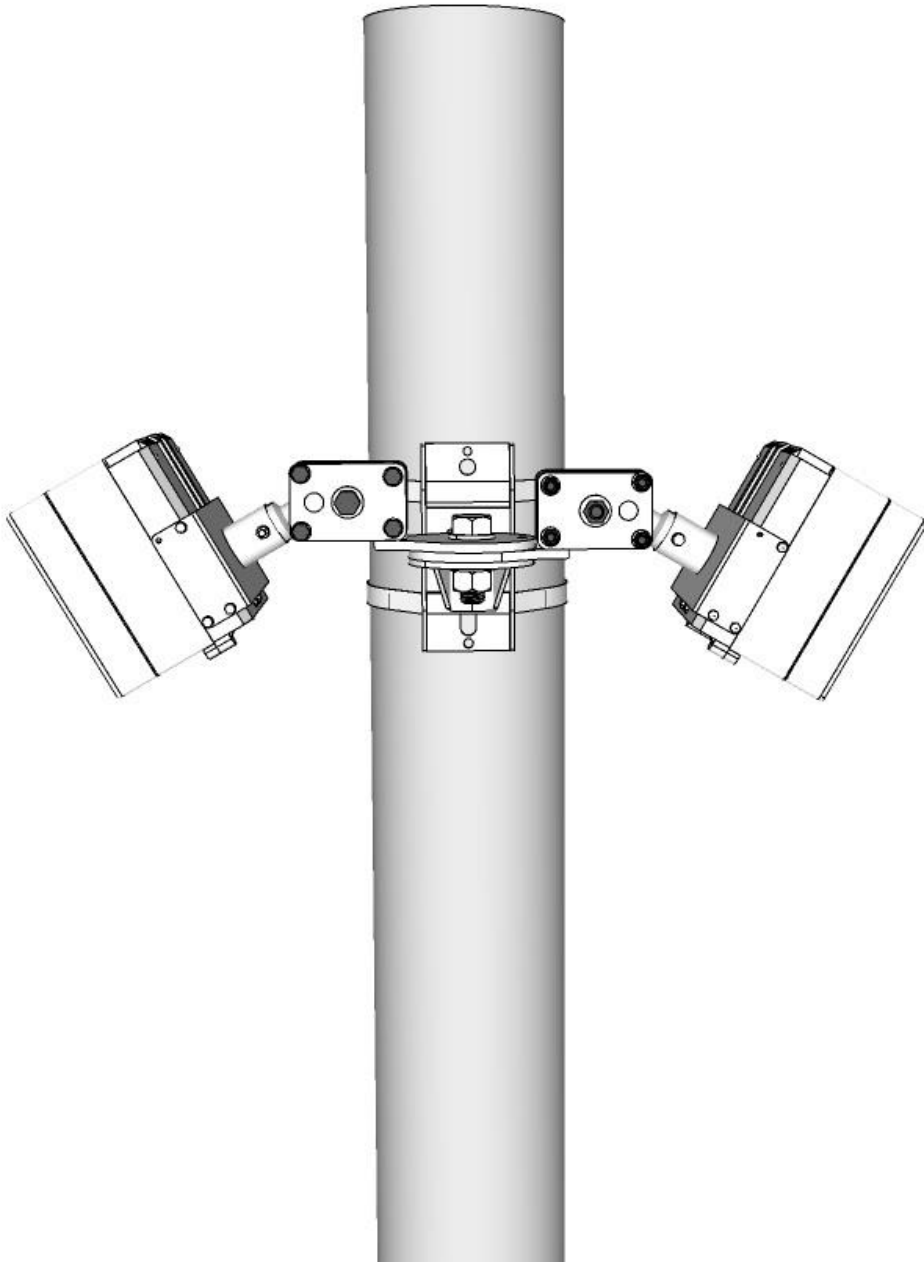
Full Assembly View

Included Parts List

Step by Step Installation

Warranty Information

## Stack-Bracket 360° Side Pole Mounting for Ericsson 2208 Antenna Bracket



Full Assembly View



# Installation Guide

## Parts List

<u>Quantity:</u>	<u>Item Name:</u>	<u>Part Number:</u>
1	Side Arm Antenna Bracket-18"	(APB-03)
2	360° Stack-Bracket	(STKBKT-360)
2	Ericsson 2208 Custom Antenna Bracket	(BKT-ERICSSON 2208)
1	1-8-inch Center Mounting Bolt	
1	1-inch Nut	
1	1-inch Lock washer	
1	1-Inch Washer	
1	2 ½ Inch ¼ 20 SS Hex Bolt	
2	¼ -20 Hex Nuts	
2	¼ -20 Lock Washers	

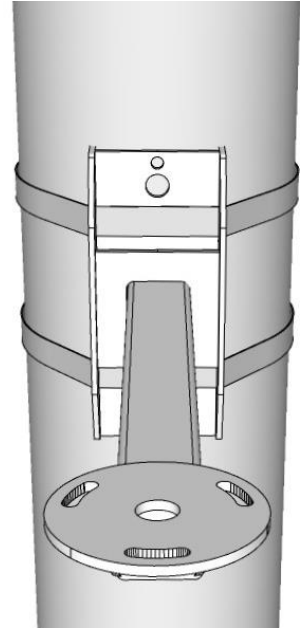
## Hardware Required from Parts List

1x 1-8-inch Center Mounting Bolt, 1x 1-Inch Nut, 1x 1-Inch Lock Washer, & 1x 1-Inch Washer



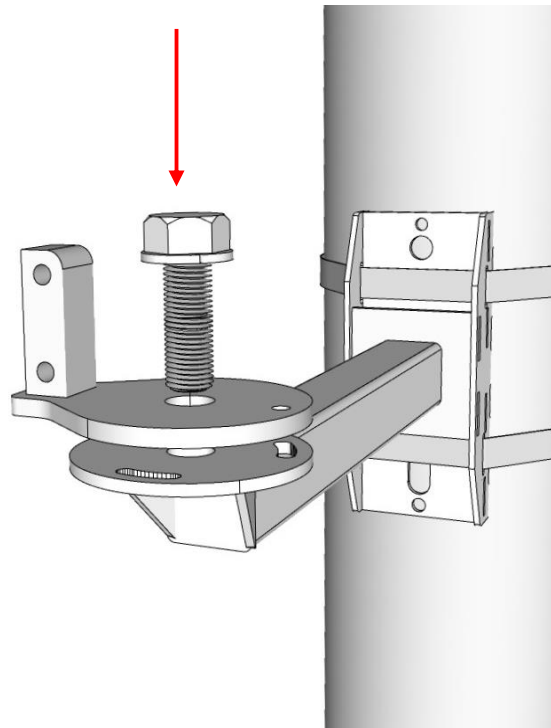
### Step 1:

Install the Side Arm Antenna Bracket (APB-03) to the pole and secure with the band or bolt option.



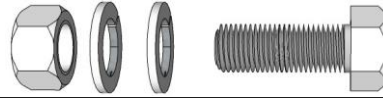
### Step 2:

Place first Stack-Bracket 360° disk down over the center of APB-03. Keep bolt in place loosely until final disk is mounted.



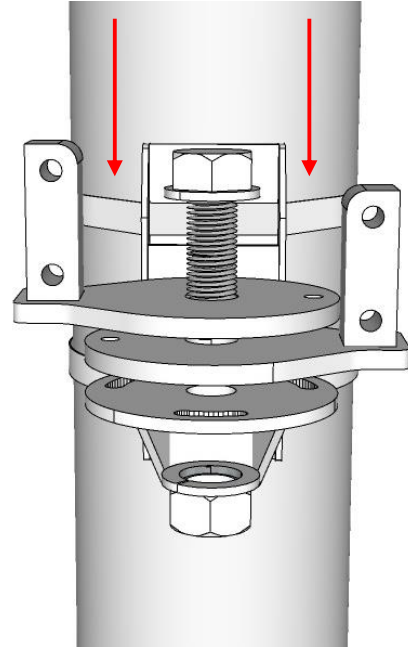
## Hardware Required from Parts List

1x 1-8-inch Center Mounting Bolt, 1x 1-Inch Nut, 1x 1-Inch Lock Washer, & 1x 1-Inch Washer



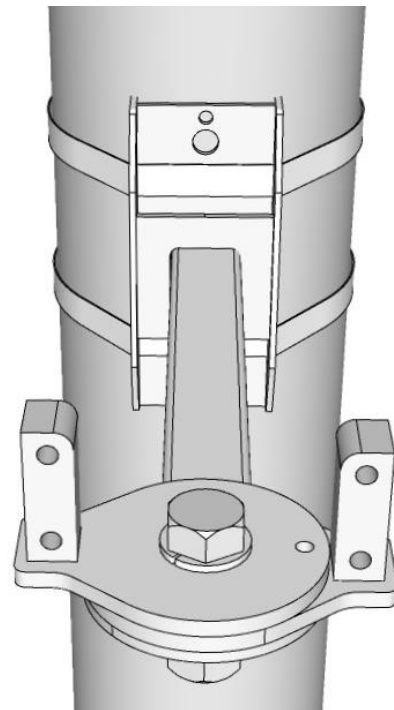
### Step 3:

Place the second disk in accordance to how many brackets will be mounted currently and in future installations. This manual is showing a 2x Stack-Bracket assembly.



### Step 4:

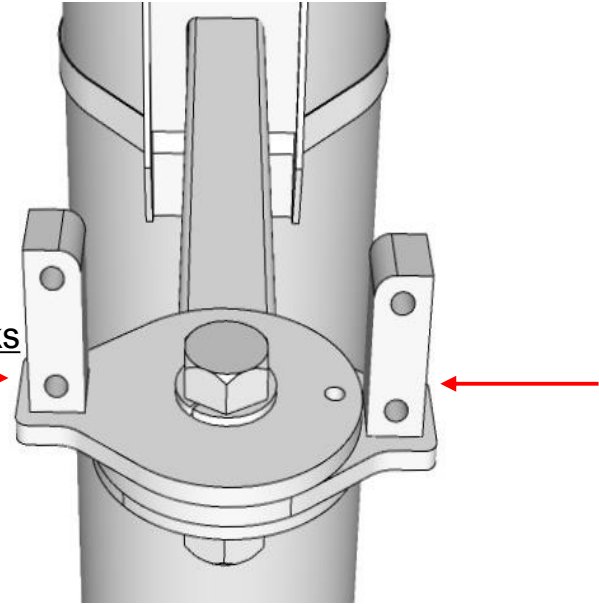
You can now secure the 1-8-inch Center Mounting Bolt with the 1-Inch Nut, 1-Inch Lock Washer, & 1-Inch Washer.



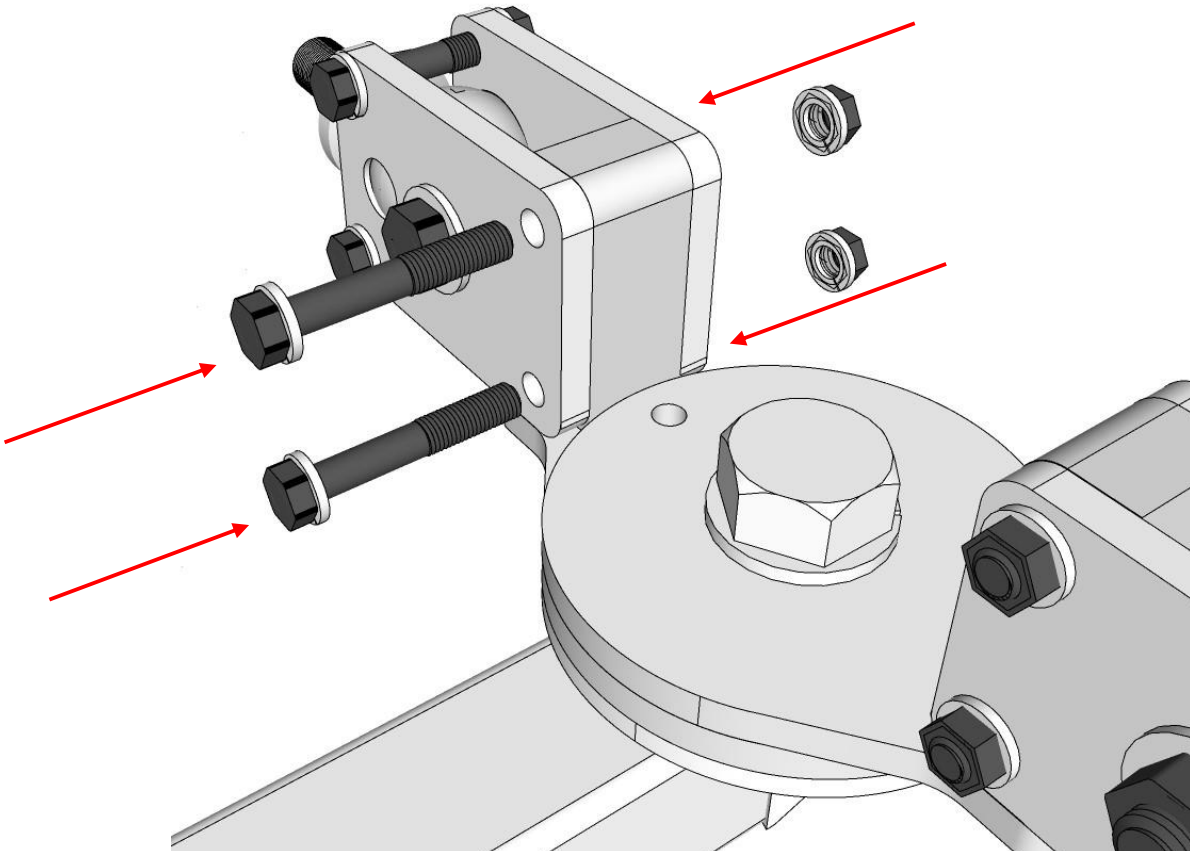
## Step 5:

Add the Stack-Bracket 360° to the vertical blocks with holes by releasing the 3/8th bolt and washers and fasten them onto the vertical blocks.

Vertical Blocks



Now you're ready to mount the BKT-ERICSSON 2208 to the antennas before adding to the Stack-Bracket 360°

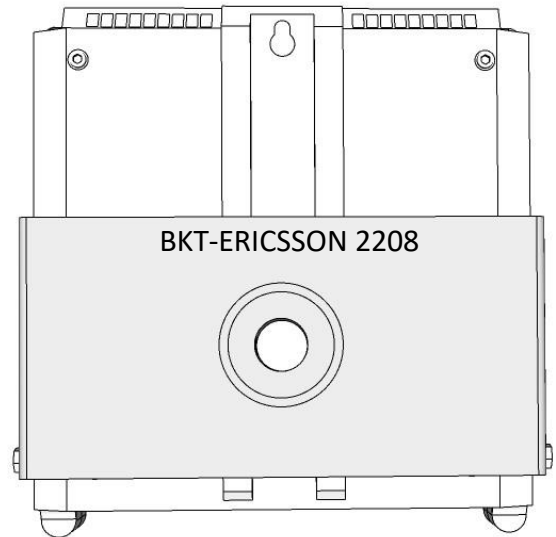


## Step 6:

Fasten the BKT-ERICSSON 2208 to the antenna before mounting to the Stack-Bracket 360°.

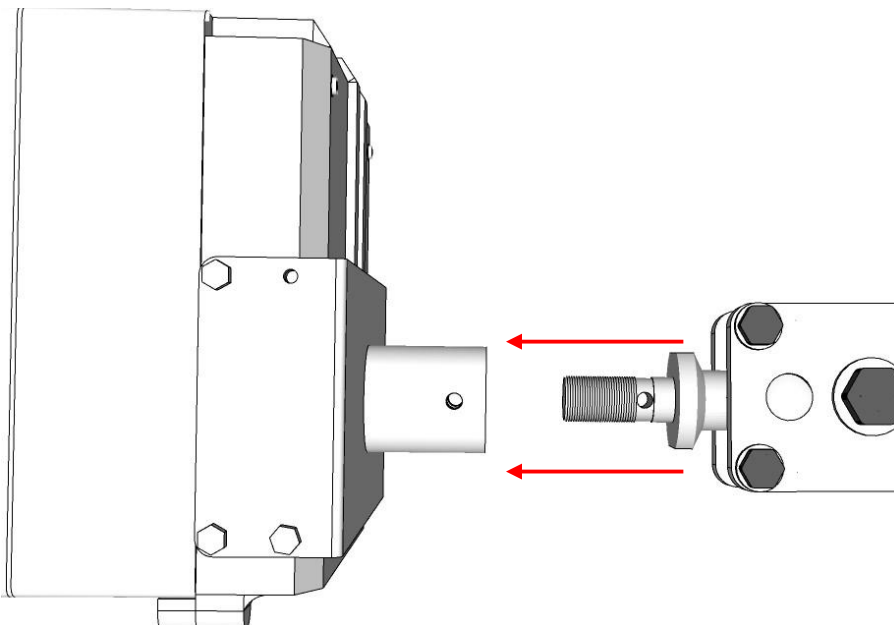
### Note:

This step can be done to all antennas before you lift them up to the pole for mounting.



## Step 7:

Slide the antenna bracket onto the male threaded end of the STKBKT-360 to line up the holes for the stainless-steel bolt in the next step.



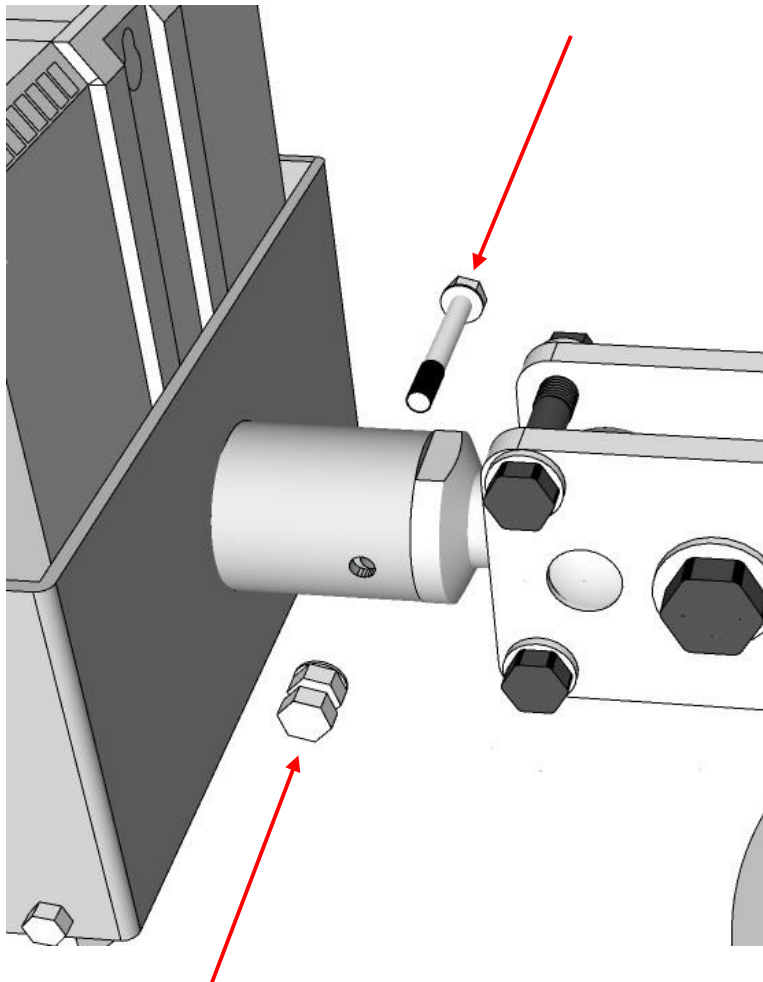


## Step 8:

Insert the stainless-steel bolt and tighten down the hex nuts and lock washer on both sides to secure the antenna to the STKBKT-360.

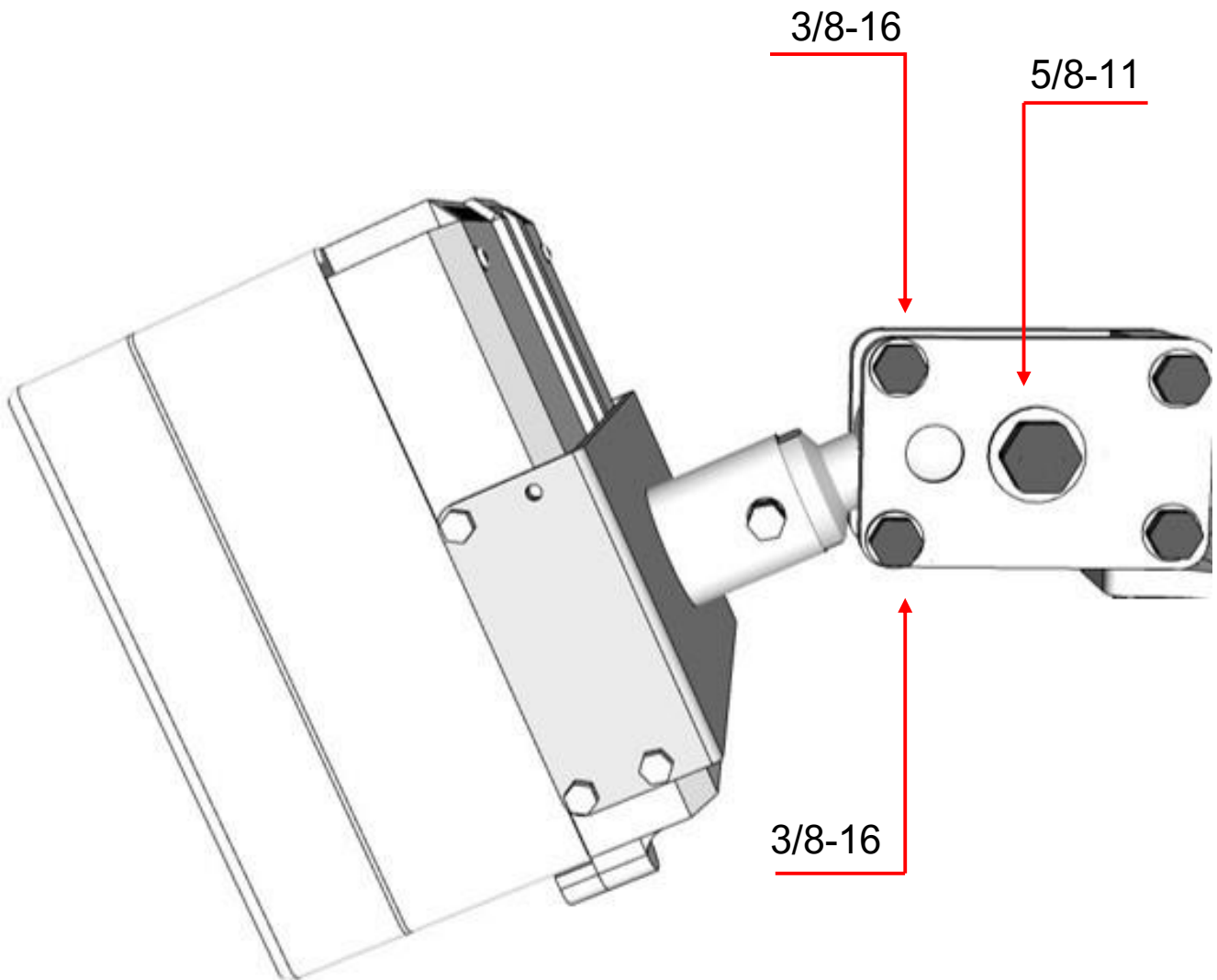
### Hardware Required

1x 2 ½ Inch ¼ 20 SS Hex Bolt, 2x ¼ -20 Hex Nuts, 2x ¼ -20 Lock Washers



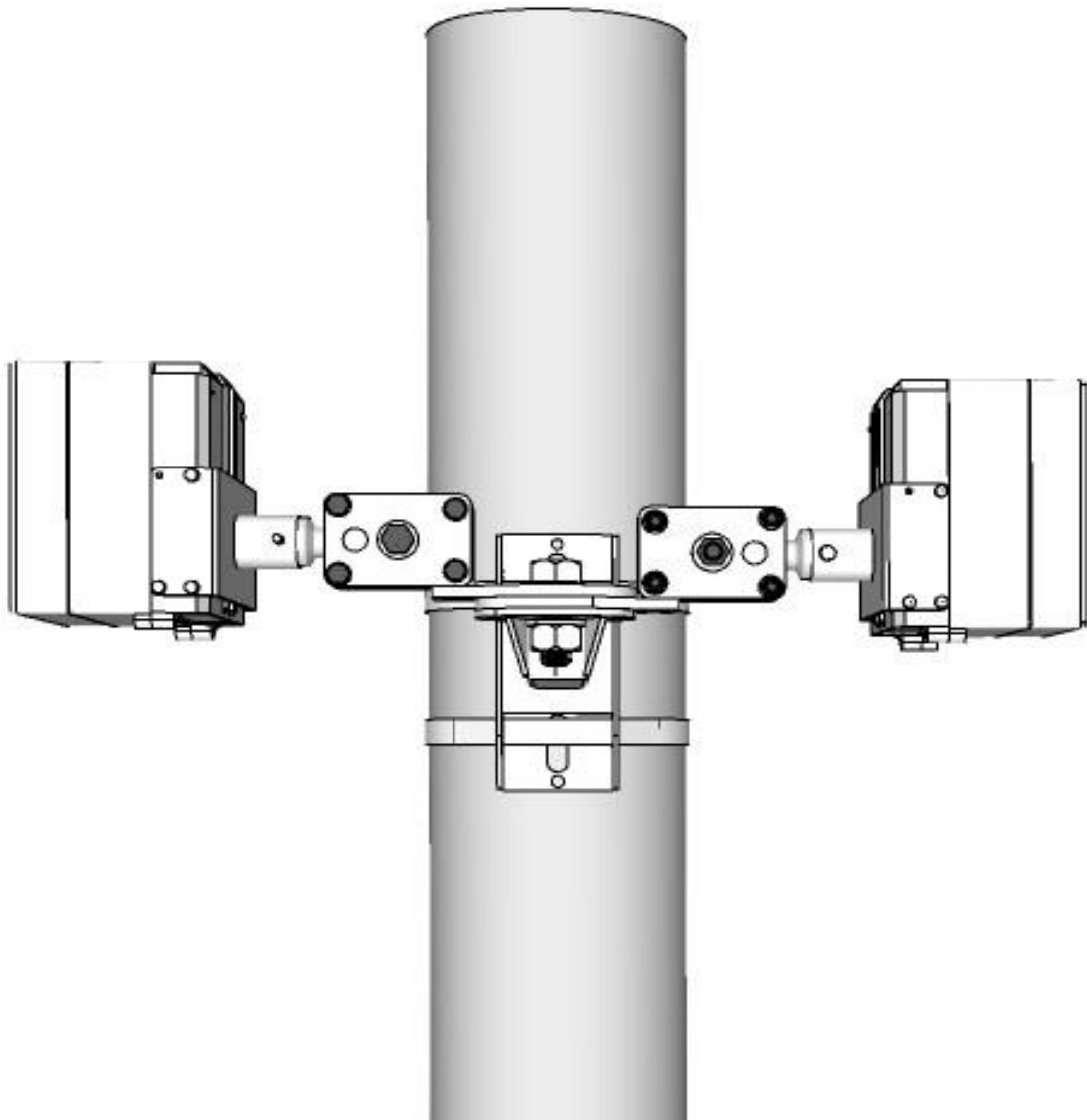
## Step 9:

To adjust the angle of the antenna, snug the x1 5/8-11 bolt and x2 3/8-16 bolts. Once desired angle is established, tighten the three bolts down.



Your Installation is now complete!

If you have any questions about our products or installation, please contact us for assistance.





# New York Manufacturing Product Warranty

## WHO AND WHERE DOES THIS WARRANTY COVER?

New York Manufacturing (“Seller”) warrants our products to the original purchaser (“Purchaser”) only.

This limited warranty applies only to products installed in the United States and Canada, at the original installation site, installed per our written installation instructions.

## WHAT DOES THIS WARRANTY COVER?

The product will be free from defects in material, workmanship during manufacture. Any defect that affects the products functionality under proper installation methods or procedures will be replaced and shipped at no additional cost to purchaser. The galvanized coating on the steel products should not chip, peel or crack under ordinary environmental elements. We will certainly warrant the structural integrity of any products NYM produces.

## HOW LONG DOES THE COVERAGE LAST?

NYM provides you with the warranty of the steel products structural integrity for 10 years from date of purchase.

## WHAT WILL WE DO?

NYM at its sole discretion will replace the defective product or component at no additional cost to customer.

## WHAT DOESN'T THIS WARRANTY COVER?

- Damage caused by improper installation, applications, misuse or maintenance
- Damaged caused by accidents, natural weather events, abuse, vandalism and negligence
- Damage from any foreign residue deposited on the finish of the product
- Damage that occurs during shipment, storage, handling or installation
- Changes in galvanization or powder coated color surface resulting in discoloration, fading, or staining. Exposure to the elements may cause these changes overtime to which we have no control over weathering, air quality, or installation location.
- Product is installed in a corrosive atmospheric condition such as but not limited to: salt water/marine, chemical fumes, and wind-blown sand atmosphere
- Re-Installation or labor costs due from defective product

## HOW TO MAKE A WARRANTY CLAIM:

Please contact New York Manufacturing via email: [Sales@NYMFG.com](mailto:Sales@NYMFG.com)

Include the following in your letter:

- 1) Proof of Purchase
- 2) Describe the defect and attach photos
- 3) Describe any action that you have taken to correct the problem.

ONLY THE LIMITED WARRANTY SET FORTH IN NYM'S WARRANTY POLICY SHALL APPLY TO NYM'S PRODUCTS. WARRANTY EXTENDS TO THE ORIGINAL PURCHASER ONLY AND IS IN LIEU OF ALL OTHER WARRANTIES, WHETHER STATUTORY, EXPRESSED OR IMPLIED, INCLUDING THE IMPLIED WARRANTIES OF FITNESS FOR A PURPOSE AND MERCHANTABILITY AND NON-INFRINGEMENT.

REPAIR, REPLACEMENT OR REFUND OF PRODUCT UNDER THIS WARRANTY SHALL COMPLETELY SATISFY AND DISCHARGE ALL OF SELLER'S LIABILITY WITH RESPECT TO THS WARRANTY.

IN NO EVENT WILL SELLER, BE LIABLE FOR ANY DAMAGE, INJURY, LOSS, CONSEQUENTIAL, INCIDENTAL, INDIRECT, EXEMPLARY, PUNITIVE, SPECIAL OR OTHER DAMAGES UNDER ANY CIRCUMSTANCES

This Warranty is expressly subject to Seller's Terms and Conditions of Sale, which are incorporated herein by reference. This Warranty extends only to claims of the original Buyer and warranties only the product.

NYM reserves the right to discontinue or change any design or color of our product at any time without notice or liability. If original product is no longer available at the time of a warranty claim, we may substitute a comparable one of quality and price.