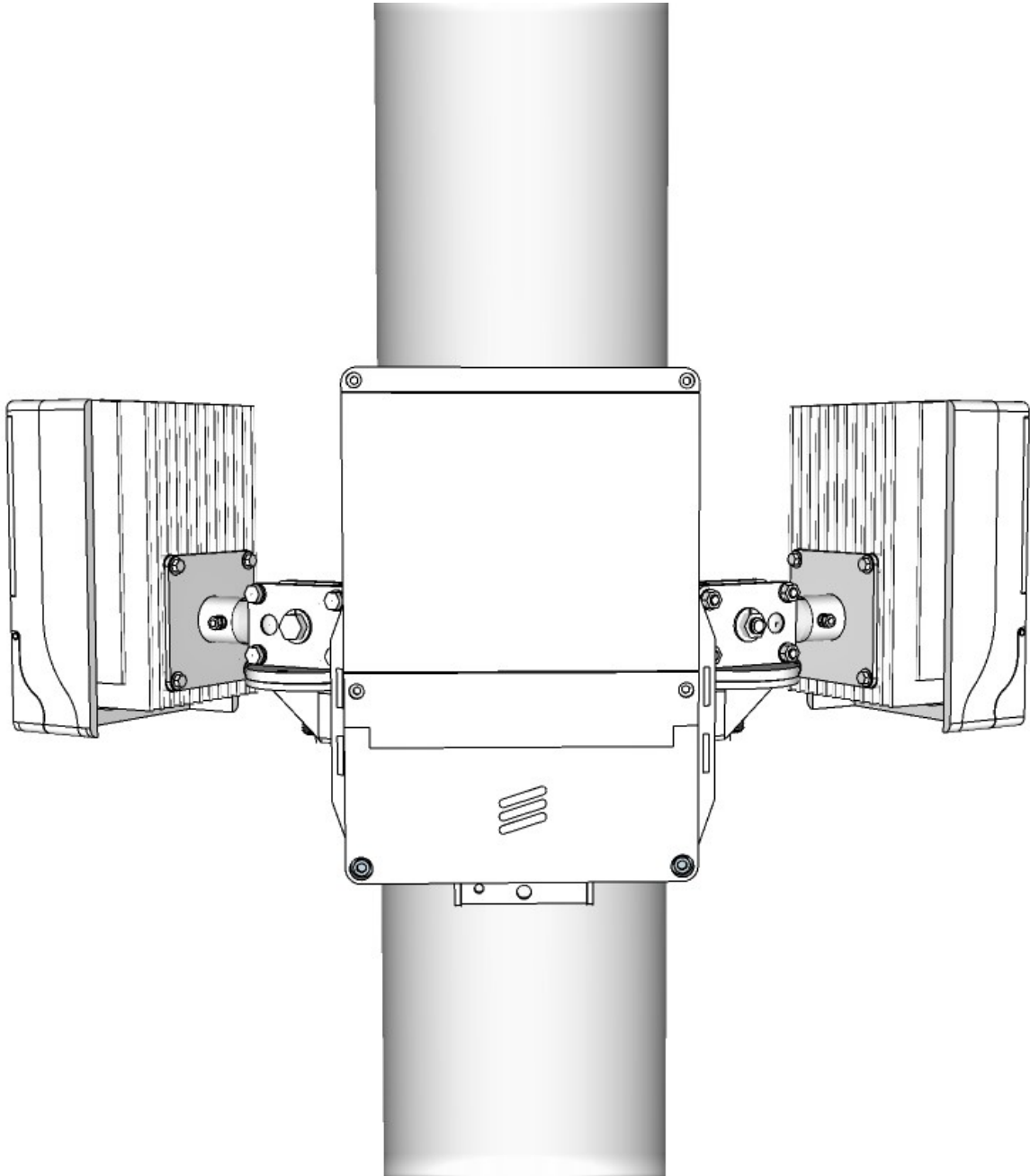


Metal Pole
Compact Stack-Bracket,
Flush Mount Side Arm Bracket,
& Ericsson 1281 Bracket





CONTENTS

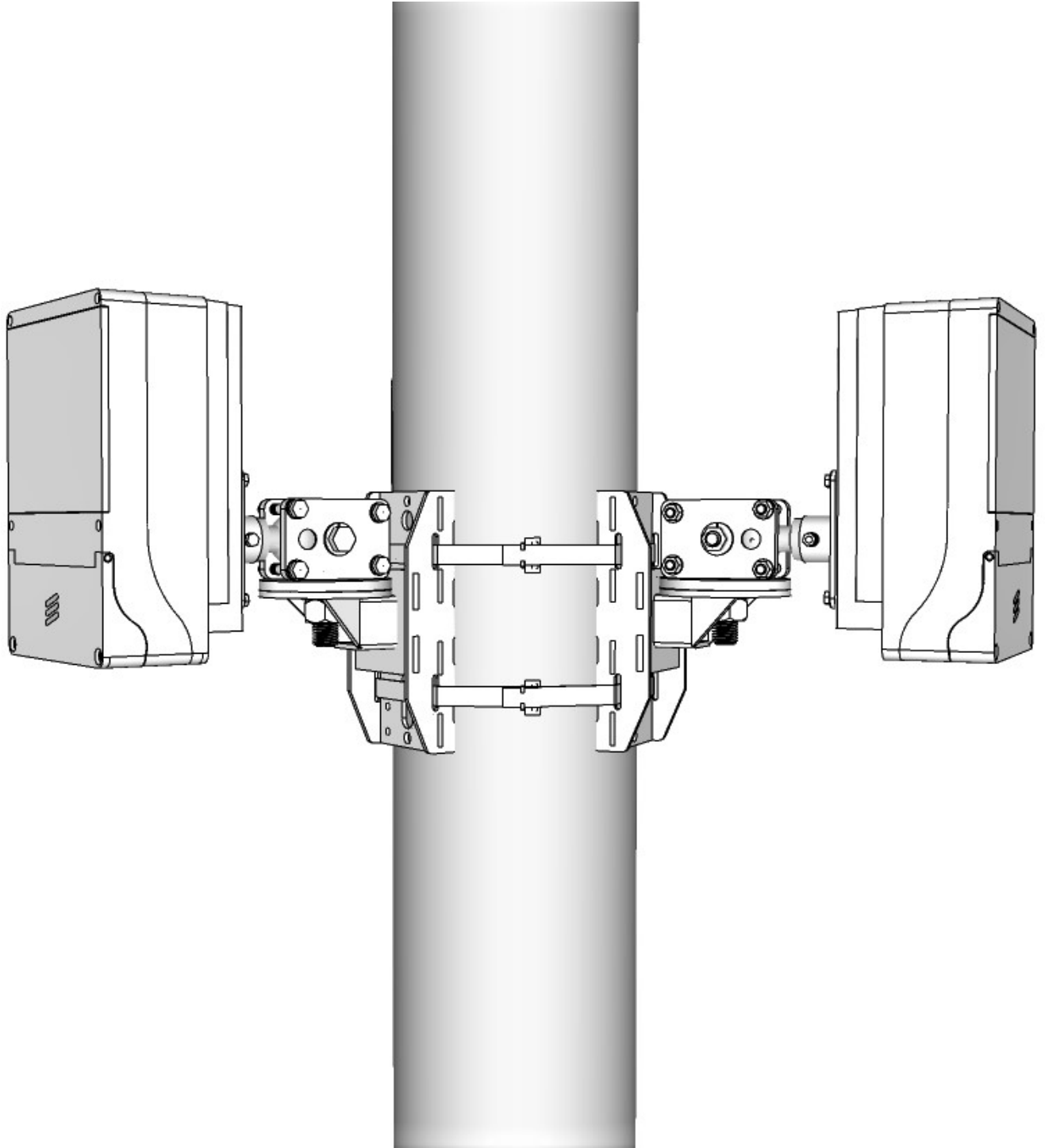
Full Assembly View

Included Parts List

Step by Step Installation

Warranty Information

Compact Stack-Bracket, Flush Mount Side Arm Bracket & Ericsson 1281 Bracket Full Assembly View





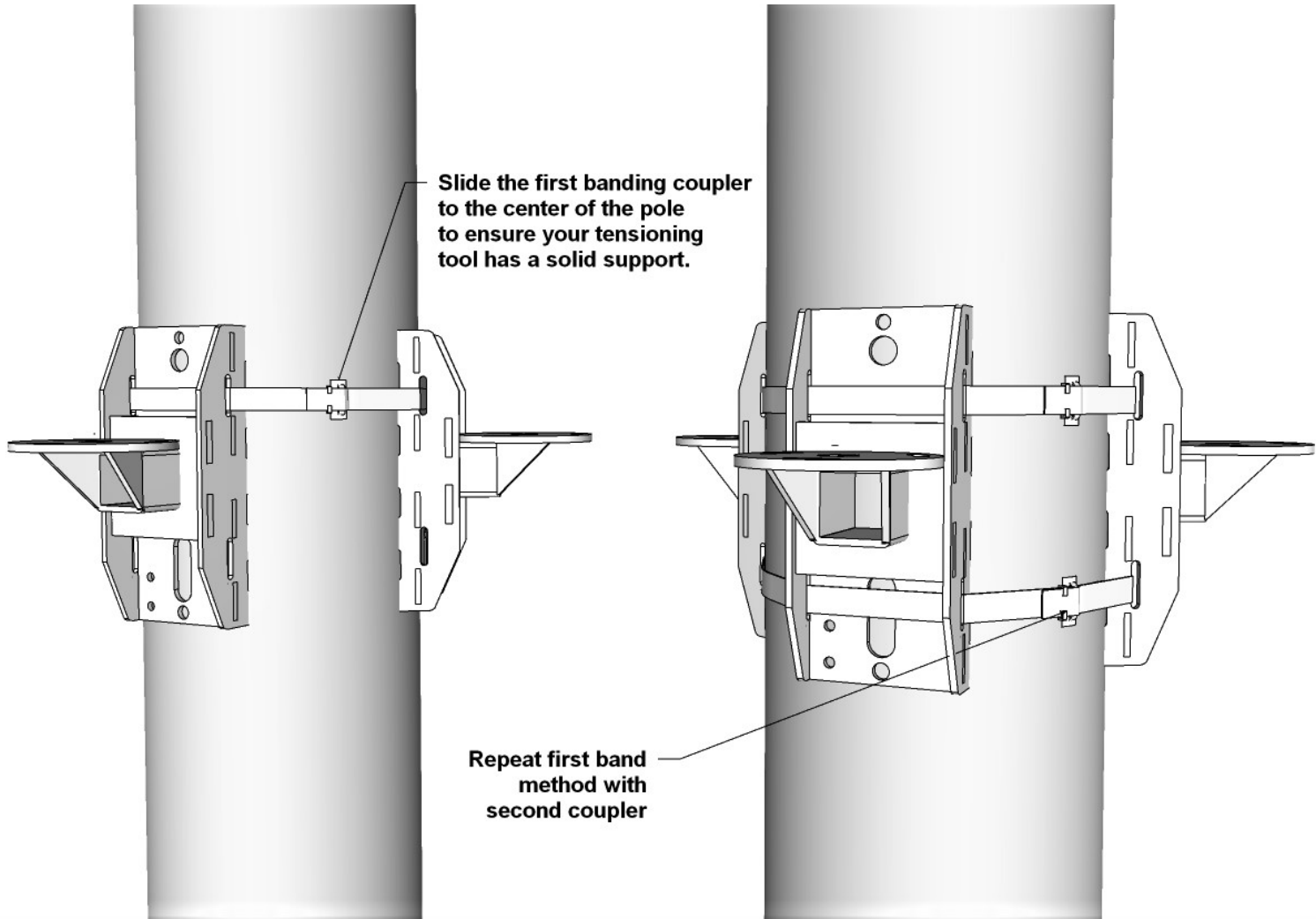
Parts List

<u>Quantity:</u>	<u>Item Name:</u>	<u>Part Number:</u>
1	Compact Stack-Bracket	(COM-STKBKT)
1	Flush Mount Side Arm Bracket	(APB-05)
1	Ericsson 1281 Bracket	(BKT-ERIC1281)
1	1-8-inch Center Mounting Bolt	
1	1-inch Nut	
1	1-inch Lock Washer	
1	2 ½ Inch ¼ 20 SS Hex Bolt	
2	¼ -20 Hex Nuts	
2	¼ -20 Lock Washers	



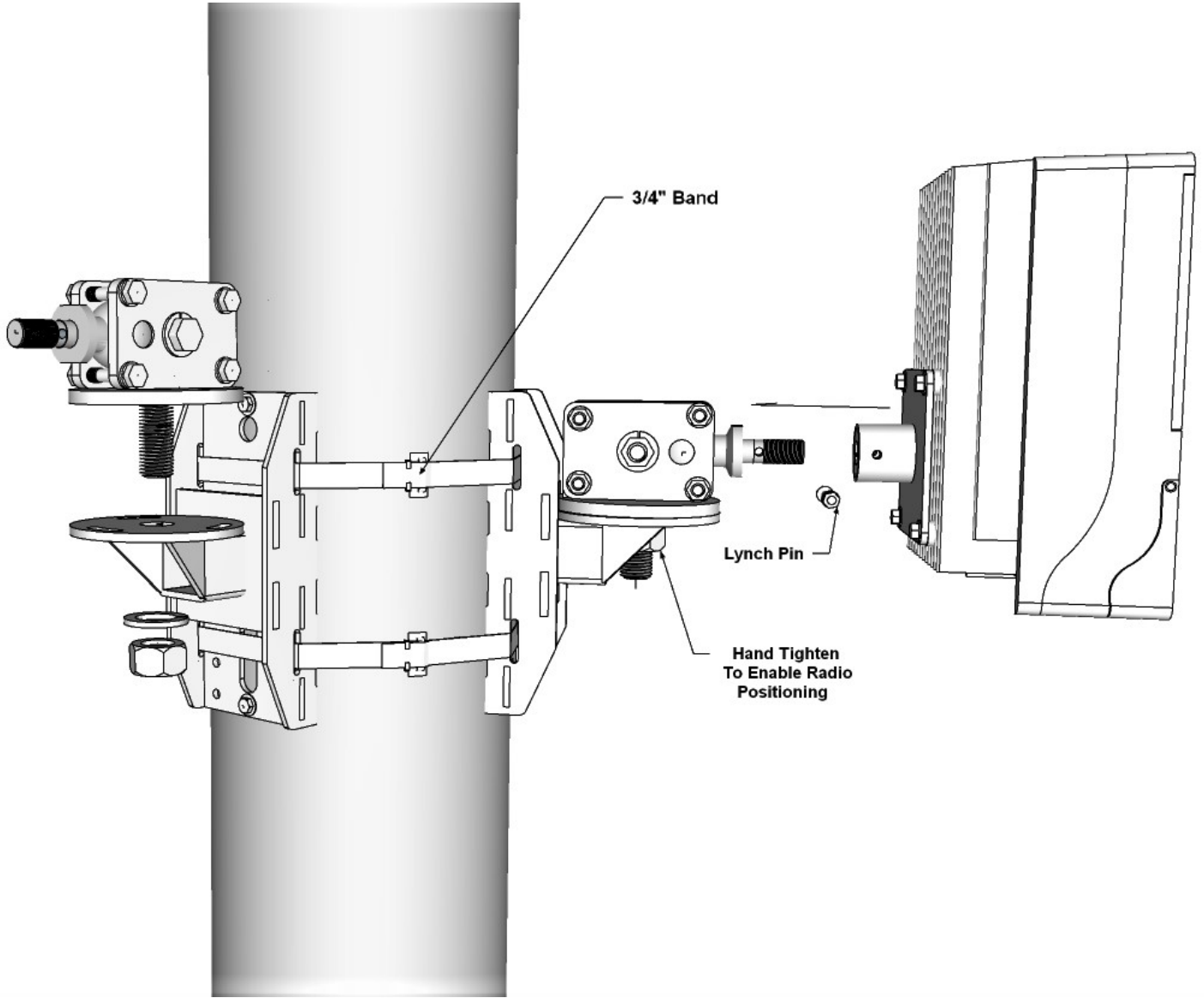
Installation Guide

Antenna Pole Bracket (APB-05) Instructions





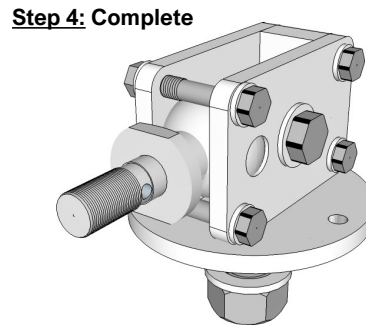
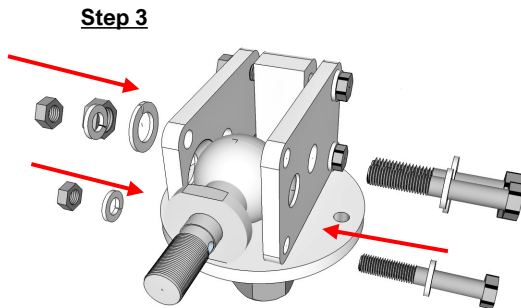
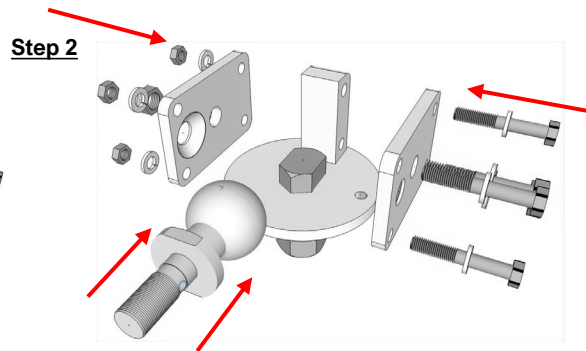
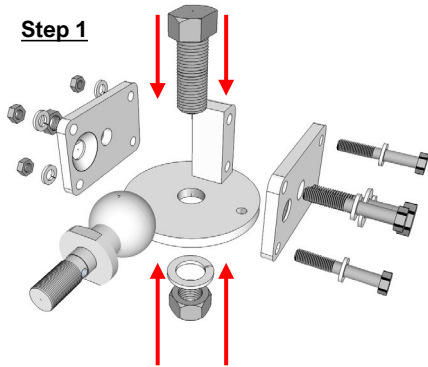
Installation Guide Compact-Stack Bracket (COM-STKBKT) & Ericsson 1281 Radio Mounting Bracket (BKT-ERIC1281)





Installation Guide

Compact Stack-Bracket ASSEMBLY



HARDWARE LIST		
Compact Stack-Bracket		
Item #	(COM-STKBKT) Hardware Part	QTY Per Part
1	Hex Head Bolt 3/8-16 x 2 3/4"	4
2	3/8-16 Hex Nut	4
3	3/8 Lock Washer	4
4	3/8 SAE Washer	4
5	Hex Head Bolt 5/8-11 x 3"	1
6	5/8-11 Hex Nut	1
7	5/8 Lock Washers	2
8	Hex Head Bolt (ss) 1-8 x 3"	1
9	5/8 SAE Washer	1
10	1" Lock Washer	1
11	2" Trailer Ball	1
12	1-8 Hex Nut	1



Installation Guide

New York Manufacturing Product Warranty

WHO AND WHERE DOES THIS WARRANTY COVER?

New York Manufacturing (“Seller”) warrants our products to the original purchaser (“Purchaser”) only.

This limited warranty applies only to products installed in the United States and Canada, at the original installation site, installed per our written installation instructions.

WHAT DOES THIS WARRANTY COVER?

The product will be free from defects in material, workmanship during manufacture. Any defect that affects the products functionality under proper installation methods or procedures will be replaced and shipped at no additional cost to purchaser. The galvanized coating on the steel products should not chip, peel or crack under ordinary environmental elements. We will certainly warrant the structural integrity of any products NYM produces.

HOW LONG DOES THE COVERAGE LAST?

NYM provides you with the warranty of the steel products structural integrity for 10 years from date of purchase.

WHAT WILL WE DO?

NYM at its sole discretion will replace the defective product or component at no additional cost to customer.

WHAT DOESN'T THIS WARRANTY COVER?

- Damage caused by improper installation, applications, misuse or maintenance
- Damaged caused by accidents, natural weather events, abuse, vandalism and negligence
- Damage from any foreign residue deposited on the finish of the product
- Damage that occurs during shipment, storage, handling or installation
- Changes in galvanization or powder coated color surface resulting in discoloration, fading, or staining. Exposure to the elements may cause these changes overtime to which we have no control over weathering, air quality, or installation location.
- Product is installed in a corrosive atmospheric condition such as but not limited to: salt water/marine, chemical fumes, and wind-blown sand atmosphere
- Re-Installation or labor costs due from defective product

HOW TO MAKE A WARRANTY CLAIM:

Please contact New York Manufacturing via email: Sales@NYMFG.com

Include the following in your letter:

- 1) Proof of Purchase
- 2) Describe the defect and attach photos
- 3) Describe any action that you have taken to correct the problem.

ONLY THE LIMITED WARRANTY SET FORTH IN NYM’S WARRANTY POLICY SHALL APPLY TO NYM’S PRODUCTS. WARRANTY EXTENDS TO THE ORIGINAL PURCHASER ONLY AND IS IN LIEU OF ALL OTHER WARRANTIES, WHETHER STATUTORY, EXPRESSED OR IMPLIED, INCLUDING THE IMPLIED WARRANTIES OF FITNESS FOR A PURPOSE AND MERCHANTABILITY AND NON-INFRINGEMENT.

REPAIR, REPLACEMENT OR REFUND OF PRODUCT UNDER THIS WARRANTY SHALL COMPLETELY SATISFY AND DISCHARGE ALL OF SELLER’S LIABILITY WITH RESPECT TO THIS WARRANTY.

IN NO EVENT WILL SELLER, BE LIABLE FOR ANY DAMAGE, INJURY, LOSS, CONSEQUENTIAL, INCIDENTAL, INDIRECT, EXEMPLARY, PUNITIVE, SPECIAL OR OTHER DAMAGES UNDER ANY CIRCUMSTANCES

This Warranty is expressly subject to Seller’s Terms and Conditions of Sale, which are incorporated herein by reference. This Warranty extends only to claims of the original Buyer and warranties only the product.

NYM reserves the right to discontinue or change any design or color of our product at any time without notice or liability. If original product is no longer available at the time of a warranty claim, we may substitute a comparable one of quality and price.