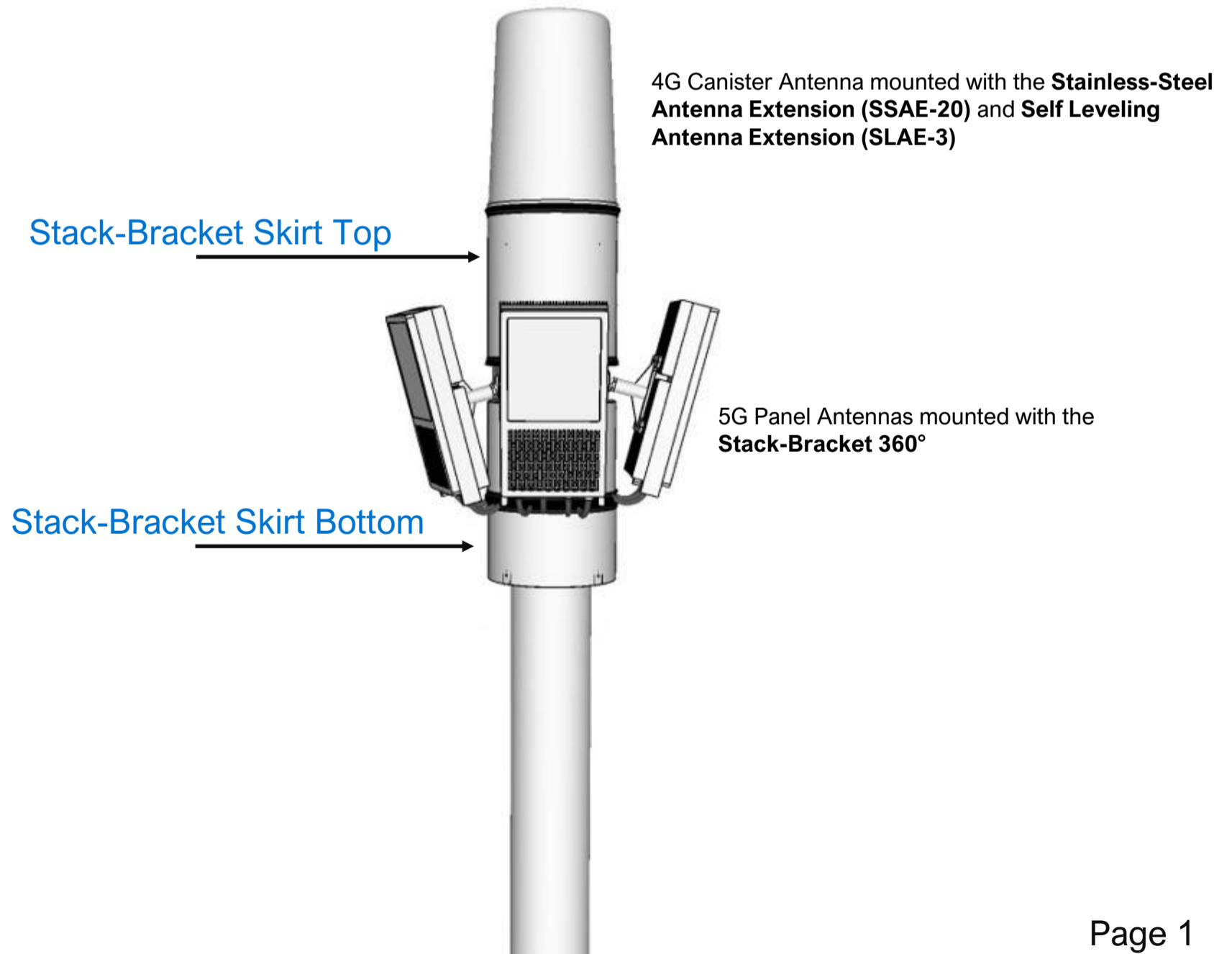


STACK-BRACKET SKIRT ASSEMBLY P/N: STKBKT-SKAS

FEATURES

- Made specifically for the top & side pole mounted **Stack-Bracket 360°**
- Customizable to fit any OEM Antenna
- Conceals an assembly of up to 7 Antennas
- Bottom plate adjusts to fit 4"-10" diameter poles
- Aluminum
- Fully encapsulates the coax cables
- Enhances aesthetics for pole mounted Telecom equipment
- Easy installation
- Available for paint or standard RAL powder coating
- Hardware Included

Full Top Pole Assembly of the 4G and 5G Antenna Arrangement



STACK-BRACKET SKIRT ASSEMBLY P/N: STKBKT-SKAS

Popular Color Options:



RAL 9005
JET BLACK



RAL 6028
PINE GREEN



RAL 9003
SIGNAL WHITE



RAL 8028
TERRA BROWN



RAL 9023
PEARL DARK
GREY



RAL 7038
AGATE GREY

Basic Dimensions:

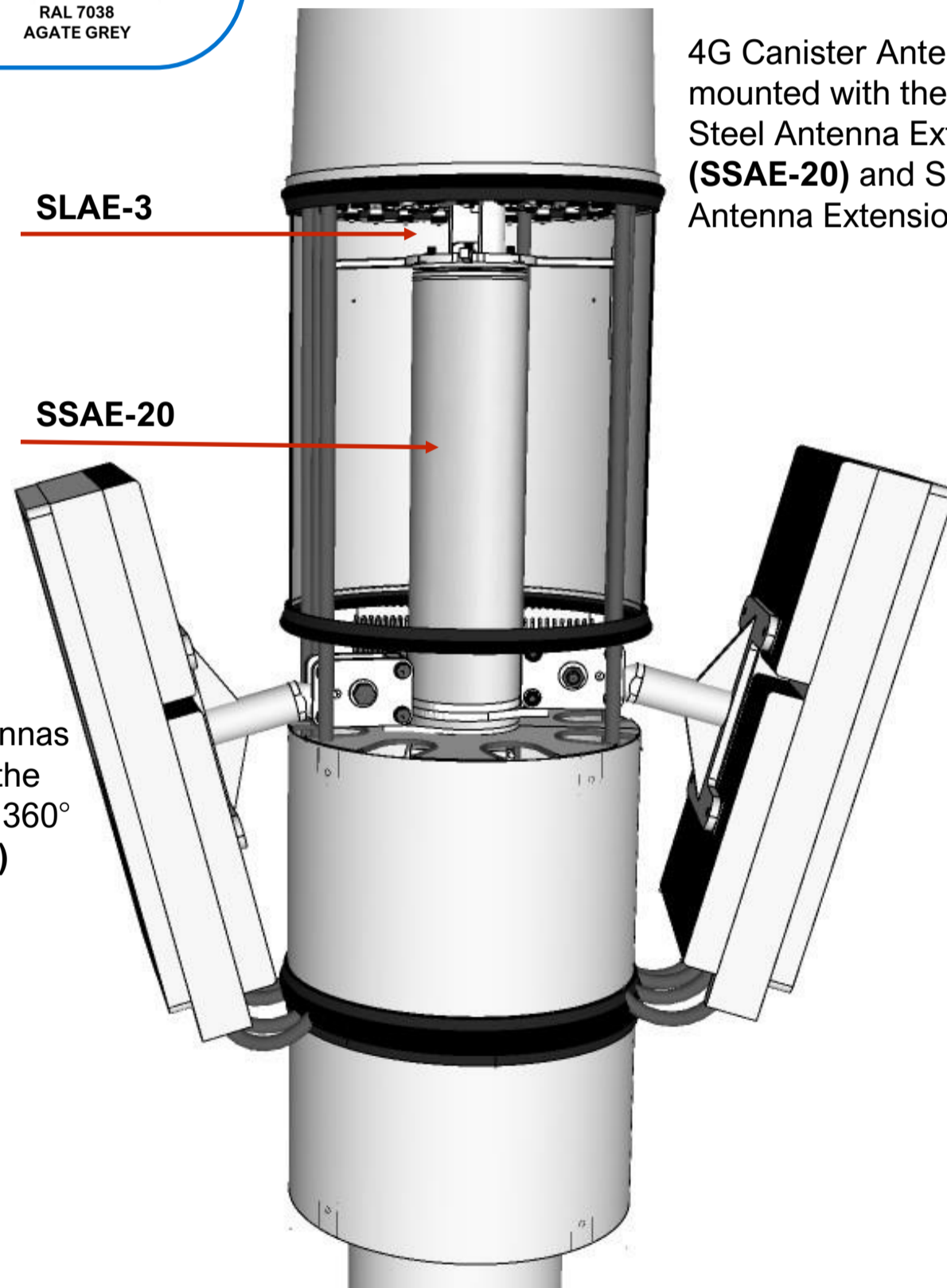
Top Height 16"

Bottom Height 16"

Diameter- Customizable

(4" to 14")

Weight- 6 LBS



SLAE-3

SSAE-20

4G Canister Antenna
mounted with the Stainless-
Steel Antenna Extension
(SSAE-20) and Self Leveling
Antenna Extension (SLAE-3)

5G Panel Antennas
mounted with the
Stack-Bracket 360°
(STKBKT-360)

STACK-BRACKET SKIRT ASSEMBLY
P/N: STKBKT-SKAS

Adjustable tilt of up to 20° upward or downward

