

360° STACK-BRACKET P/N: STKBKT-360

Features

- Versatile mounting bracket for all 4G & 5G antennas to mount in one installation area on the pole
- 360° Stack-Bracket allows for up to 7 antennas in one application including the additional antenna mounted above with the extension attachment.
- All brackets have full adjustability allowing both pan & tilt along with the 360° rotation on the stack.
- Adjustable 20° tilt at joints of the stackable brackets
- Swivel Ball Antenna Mounts maneuver easily and lock into place.
- Designed for pole top or side pole mounting
- Customizable mounting bracket per antenna needed
- 10" long feature to extend past the pole for a full 360° vector
- Steel & Aluminum
- Hardware included

Basic Dimensions:

Length 3"

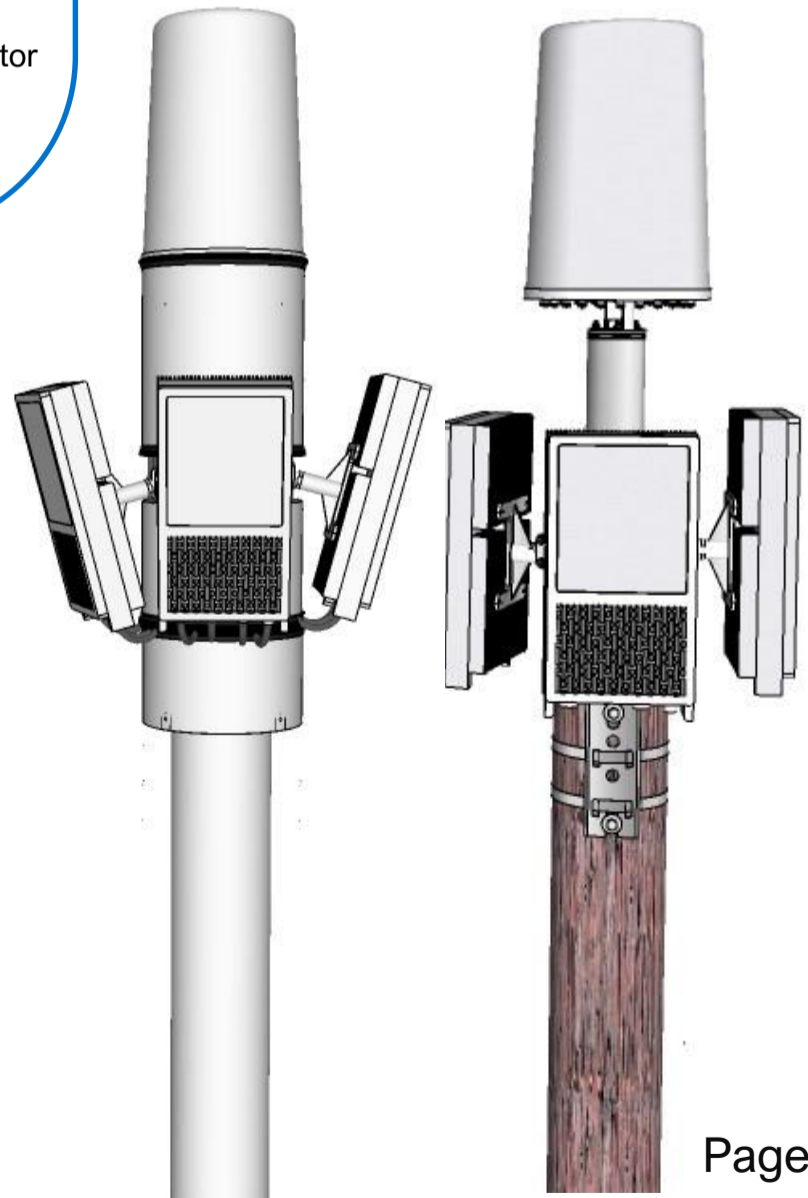
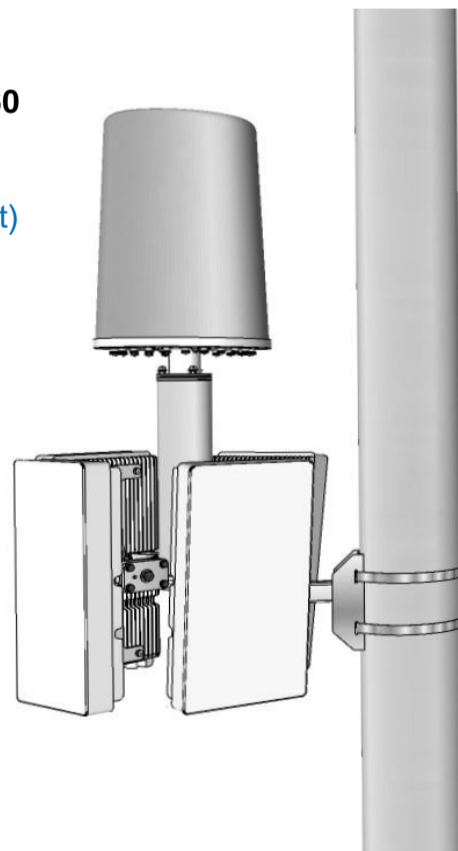
Width 2"

Height 7"

Weight 8 LBS per
stackable bracket

STKBKT-360 on the left fully skirted with the **STKBKT-SKAS**.

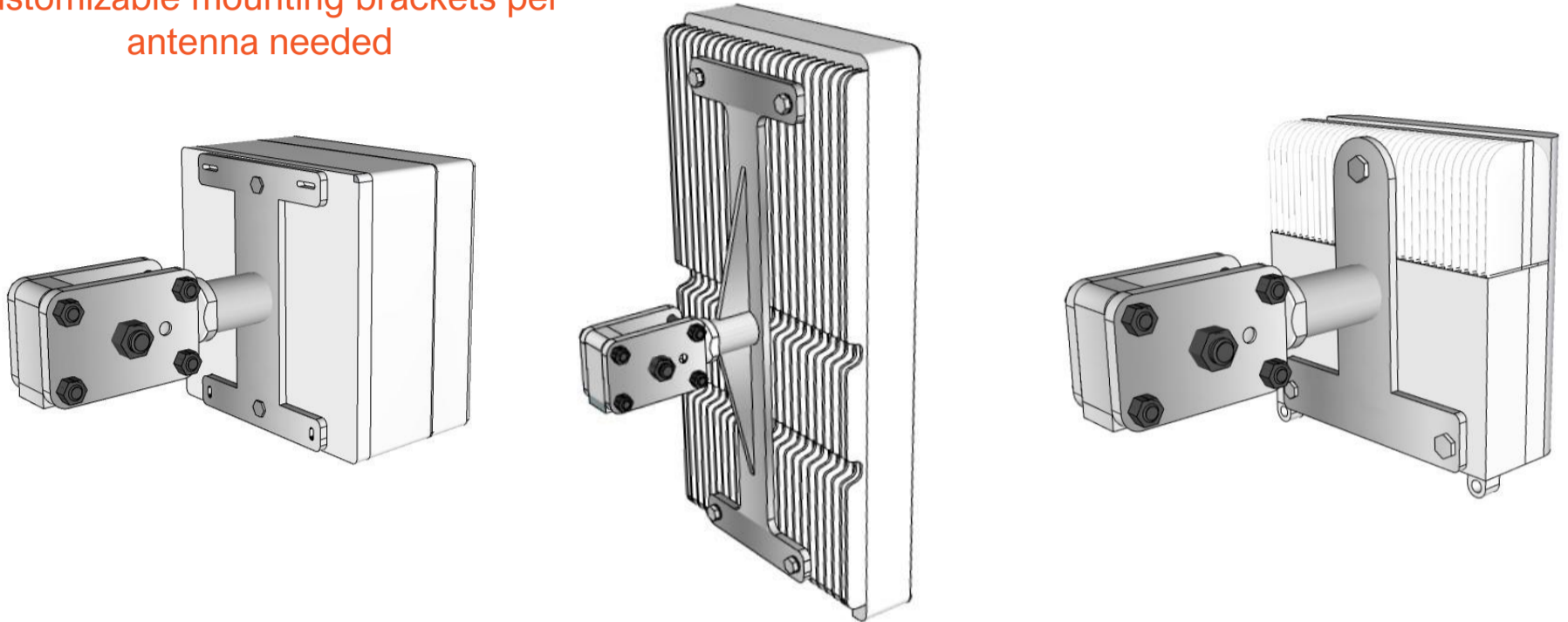
STKBKT-360
Side Pole
Mounting
(without skirt)



360° STACK-BRACKET P/N: STKBKT-360

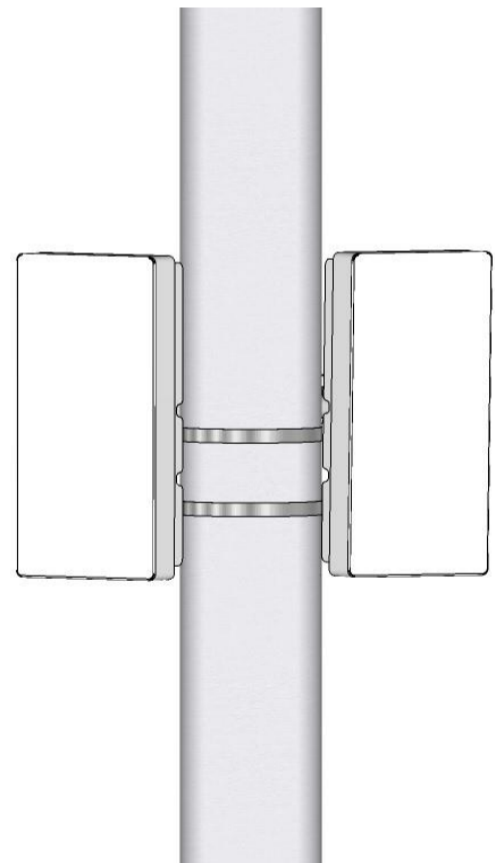
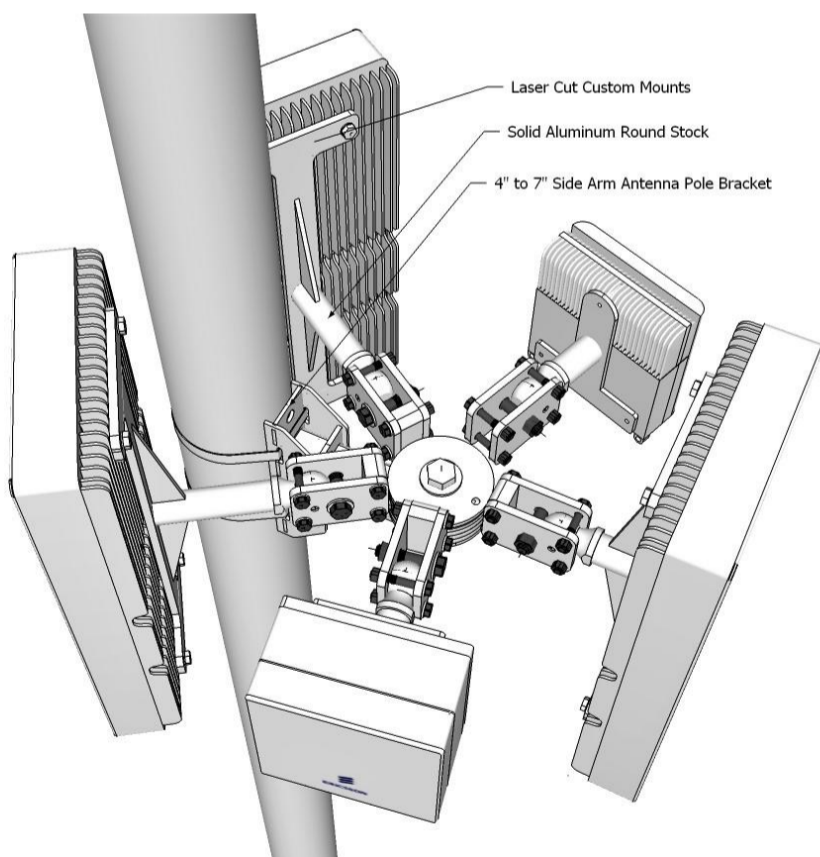
Stack-Bracket 360°

Customizable mounting brackets per antenna needed



Stack-Bracket 360° (Side pole mount)

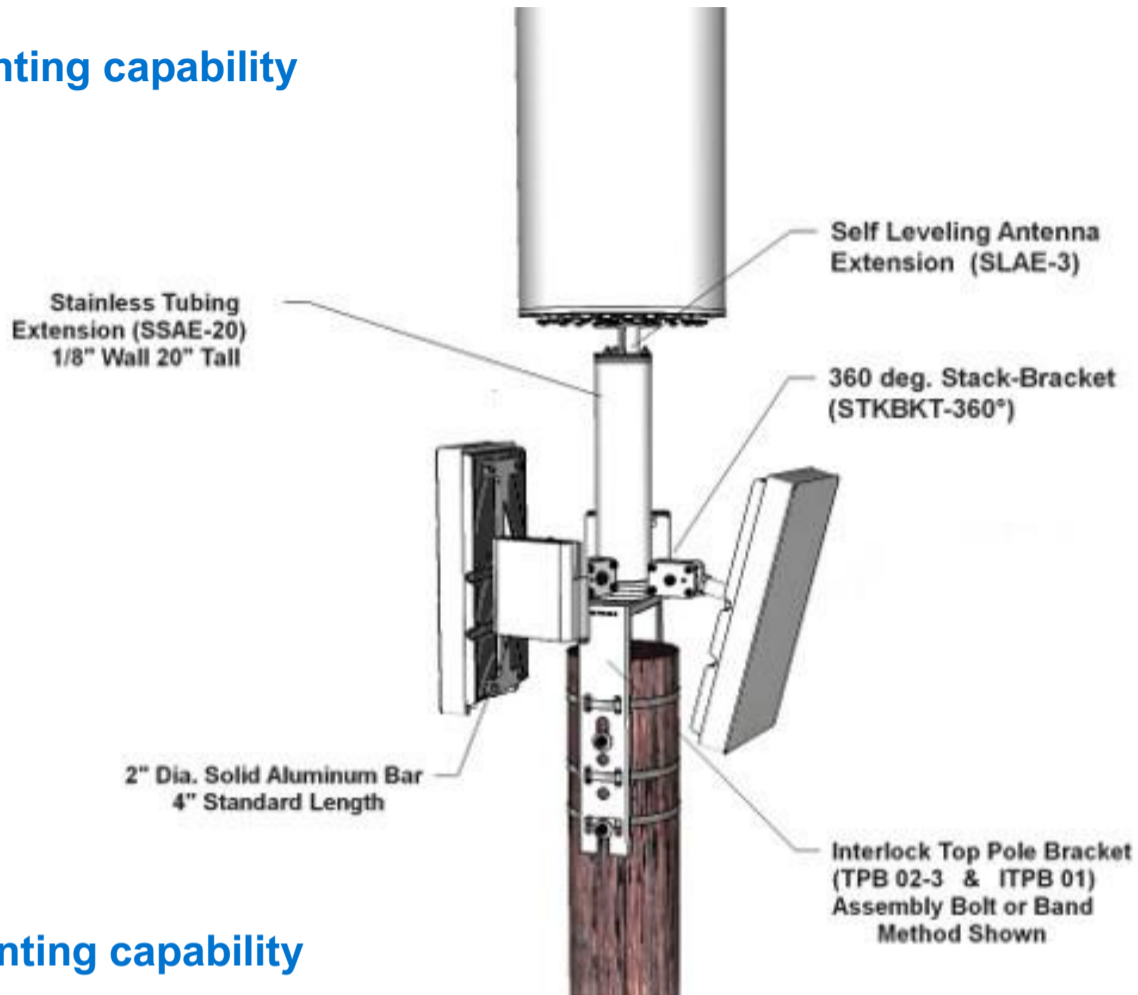
10" long arm feature extends past the pole to achieve a full 360° vector



10" long arm feature extends past the pole to achieve a full 360° vector

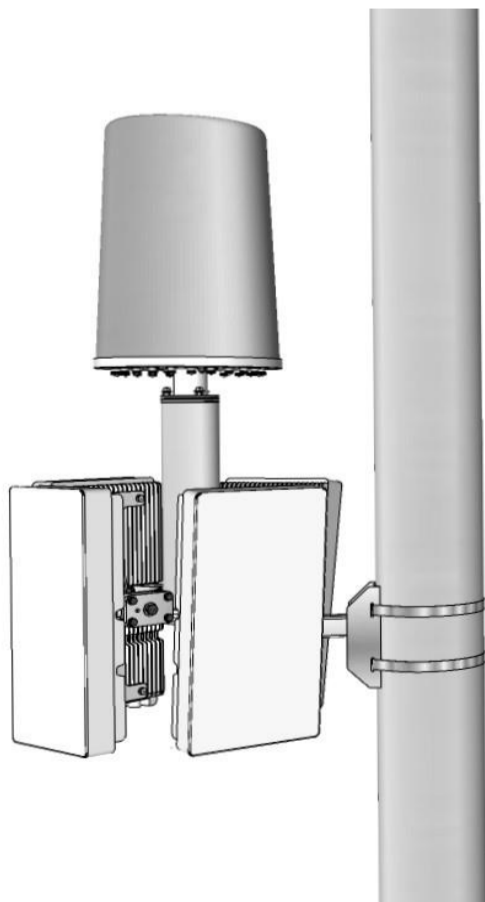
360° STACK-BRACKET P/N: STKBKT-360

Top pole mounting capability



Side pole mounting capability

Side view with 4G & 5G Antennas mounted



Front view with 5G Antennas mounted

