

STAINLESS STEEL ANTENNA EXTENSION P/N: SSAE-20

Features:

- An extension for 4G antenna mounting
- Extends from pole top or side pole mounting brackets for additional space in one installation
- Stainless Steel
- Recommended use with **SKTBKT-360** to mount an additional antenna on top poles or side pole assemblies
- Can also be mounted with the Self-Leveling Antenna Extensions (i.e. **SLAE-3**) to ensure a plum mount on poles

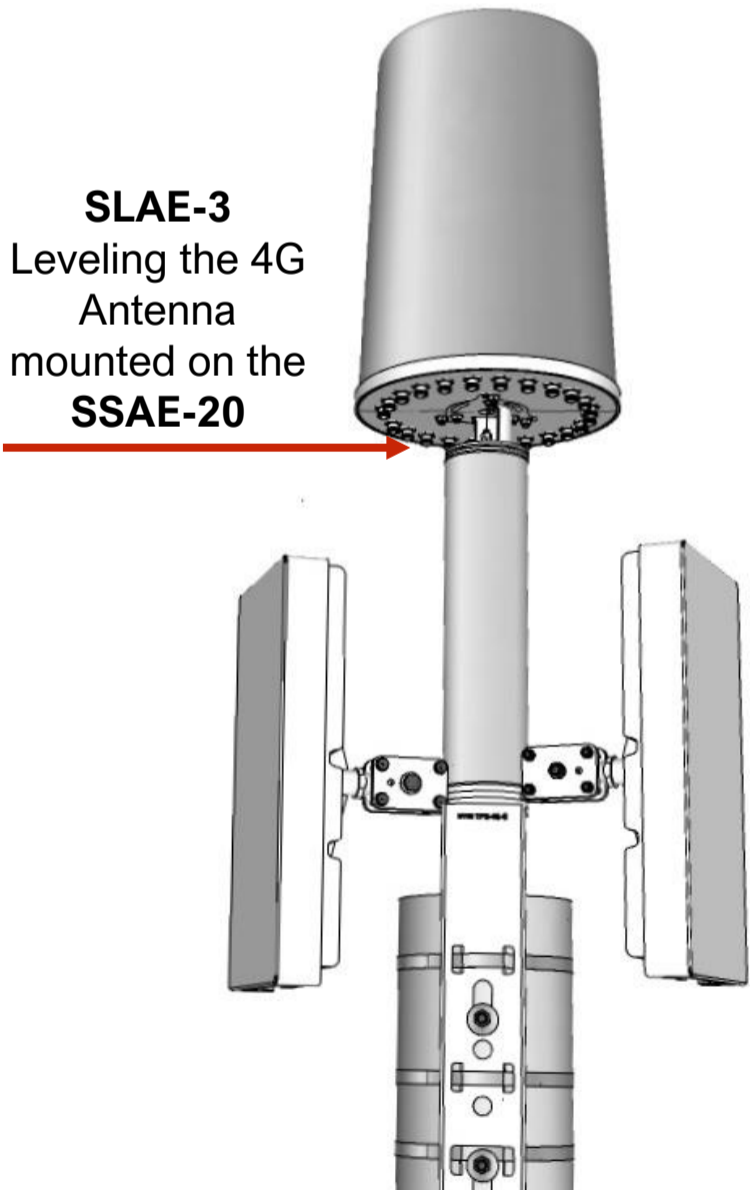
Basic Dimensions:

Diameter 5"

Height 20"

Weight 6 LBS

SLAE-3
Leveling the 4G
Antenna
mounted on the
SSAE-20



SSAE-20

