

SIDE MOUNT WHIP ANTENNA BRACKET

P/N: SMWAB-GAL

Features:

- Antenna bracket used for mounting on wood and metal poles at various radiuses
- Adjustable from a 2" to 4" diameter to fit whip antenna
- Recommended use with TPB-02-G, APB-01, or APB-03 with SLAE-3, SLAE-6, or SLAE-3BOLT
- Galvanized steel
- Available for paint or standard RAL powder coating
- Hardware included

Basic Dimensions:

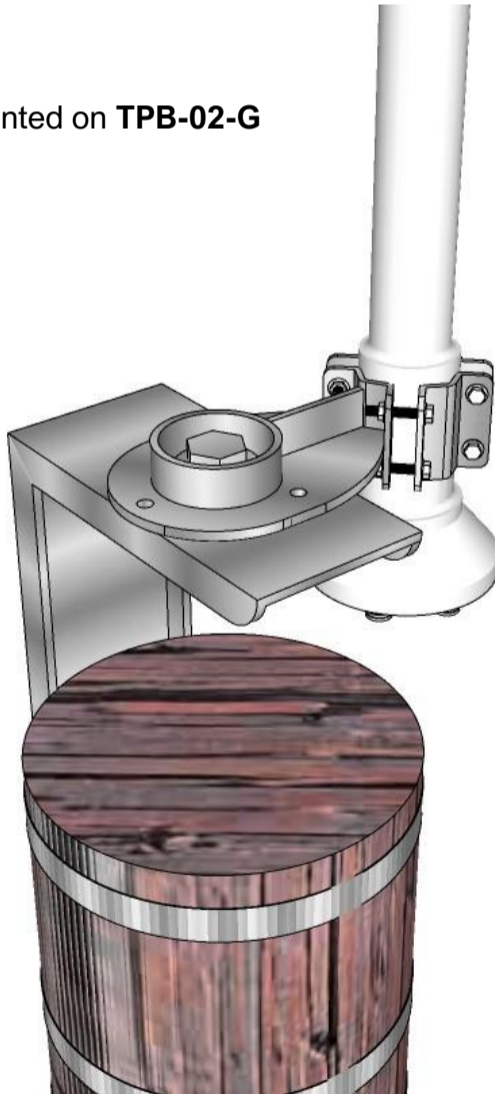
Length 10"

Width 5"

Height 2.3"

Weight 7 LBS

SMWAB-GAL mounted on TPB-02-G



SMWAB-GAL mounted on APB-01

