

## RECTIFIER SHROUD BRACKET

P/N: RSOB

### Features:

- Used for securely mounting and concealing multiple rectifiers
- Simple installation inside the shroud
- Adjustable depth
- Works with all NYM Shrouds
- Aluminum
- Hardware included

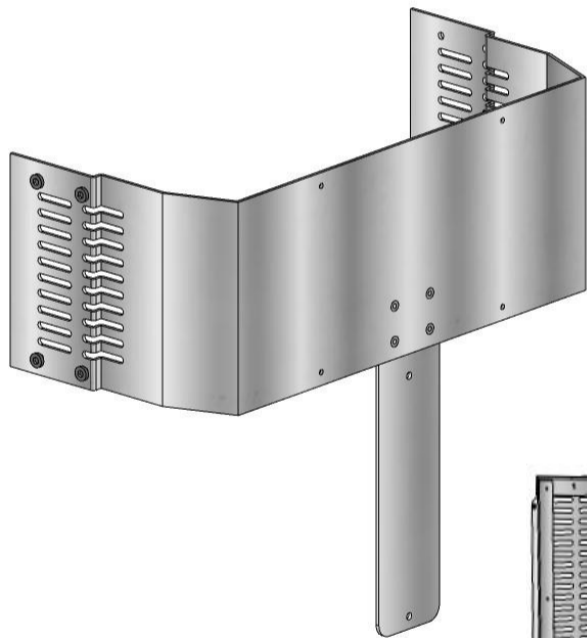
### Basic Dimensions:

Length 9"

Width 20"

Height 17"

Weight 3 LBS



The **RSOB** highlighted is installed with rectifiers attached into the **STKSHRD**

